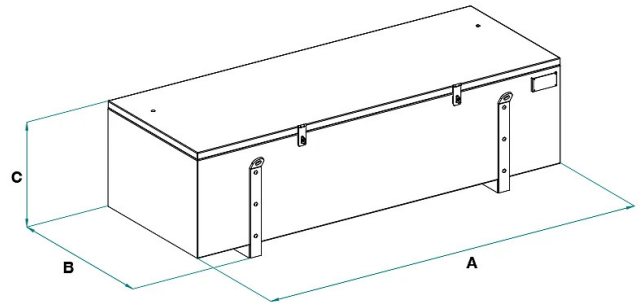


## DATA SHEET - ALUMINUM TOOL BOX WITH SIDE DOOR



Code	Capacity (L)	Weight (kg)	Dimensions (mm)		
			A	B	C
PA-1200-PPL	300	30	1200	500	500+65
PA-1300-PPL	325	32	1300	500	500+65
PA-1650-PPL	697	49	1650	650	650+65
PA-1900-PPL	665	51	1900	700	500+65

## DATA SHEET - ALUMINUM TOOL BOX WITH SIDE DOOR

---

Crane accessories




### Aluminum tool box with side door

#### Assortment of aluminum tool boxes with side door

Introducing our aluminum toolboxes with a convenient and functional side opening, allowing operators to directly access items inside the box without continuously climbing onto the truck bed. These aluminum toolboxes feature internal compartments and come complete with side handles and lifting brackets. Features:

- **Waterproof:** The equipment is always safe from moisture, even in bad weather.
- **Rustproof:** No rust, maintaining its integrity over time.
- **Lightweight:** Ensures easier movement.
- **Functional:** Easy to handle thanks to welded feet at the base and four lifting eyes. Also equipped with internal compartments of various sizes for small hardware. Lockable with a padlock. Upon request, the boxes can be fitted with wheels, further increasing their versatility! This product is constructed and tested according to UNI EN ISO 12100, UNI EN 10027, and UNI EN 10204 standards and comes with the appropriate metal label and conformity certificate. All our products are covered by a one-year warranty (European Directive).

#### Application sectors

 Construction