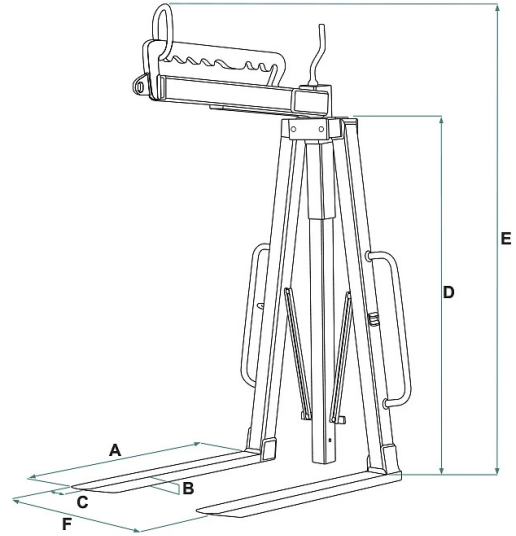


## DATA SHEET - GALVANIZED MANUAL BALANCING PALLET FORK WITH ADJUSTABLE PINS



Code	Capacity (kg)	Weight (kg)	Dimensions (mm)					
			A	B	C	D	E	F
MBACR-10ZN	1000	125	1000	25	90	1300	1800	400-1600
MBACR-15ZN	1500	135	1000	30	90	1300	1800	400-1600
MBACR-20ZN	2000	150	1000	35	100	1300	1800	400-1600

**DATA SHEET - GALVANIZED MANUAL BALANCING PALLET FORK WITH ADJUSTABLE PINS****Crane forks****Galvanized manual balancing pallet fork with adjustable pins****Galvanized crane fork with manual balancing and self-leveling tines**

This crane fork model has all the features of the MBACR-A model, except for the finish which includes hot-dip galvanization. Why choose a galvanized fork? Here are some advantages: Corrosion protection: Hot-dip galvanization provides a durable coating that protects the fork from oxidation and corrosion. This is particularly important for equipment used outdoors or exposed to adverse weather conditions. Durability: Hot-dip galvanization increases the crane fork's strength, contributing to greater longevity. Galvanized crane forks are more robust and can better withstand mechanical stresses, reducing the likelihood of deformation or damage. Low maintenance: Hot-dip galvanized crane forks generally require less maintenance compared to untreated ones. Corrosion resistance reduces rust formation and simplifies cleaning and maintenance operations. Variety of applications: Hot-dip galvanized crane forks are suitable for a wide range of applications, including lifting in industrial, construction, or marine environments. Their strength and corrosion protection make them suitable for challenging environmental conditions. Professional appearance: The hot-dip galvanized finish gives the tool a cleaner and more professional look.

**Application sectors** Construction  Lifting