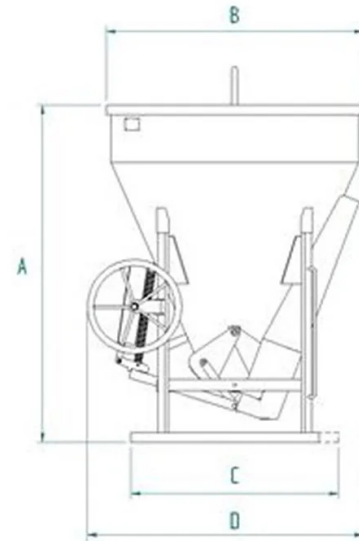


DATA SHEET - CONICAL CONCRETE BUCKET WITH BOTTOM AND SIDE DISCHARGE AND GEARED OPENING



Code	Capacity (kg)	Capacity (L)	Weight (kg)	Dimensions (mm)			
				A	B	C	D
CL-50V	1300	500	200	1500	1090	1090	1355
CL-75V	1950	750	205	1617	1350	1090	1426
CL-99V	2600	1000	215	1766	1350	1090	1426
CL-150V	3900	1500	390	2100	1584	1293	1637
CL-200V	5200	2000	420	2380	1584	1293	1637

DATA SHEET - CONICAL CONCRETE BUCKET WITH BOTTOM AND SIDE DISCHARGE AND GEARED OPENING

Concrete buckets




Conical concrete bucket with bottom and side discharge and geared opening

Conical concrete bucket with central and side discharge with double wheel opening

The CL-V model is a multipurpose conical bucket designed for quickly and precisely pouring concrete using a construction crane. It can be used with a bottom discharge for large quantities of concrete or with a side discharge for more accurate placement. The bucket is equipped with a bi-valve at the bottom, and the opening is manually operated by rotating the appropriate wheels. The versatile and easily maneuverable design ensures high efficiency of use. Available in various sizes and capacities, as indicated in the table below, the CL-V model can be customized to meet the specific needs of your project. All our buckets are built and tested according to the rigorous standards of UNI EN ISO 12100, UNI EN 13854, ISO 8686, UNI EN 10027, and UNI EN 10204, ensuring the highest quality and safety. Each product is accompanied by a metal ID plate, certificate of conformity, and user and maintenance manual. Our commitment to quality is also reflected in the one-year warranty coverage, in compliance with the European Directive.

Application sectors

 Construction