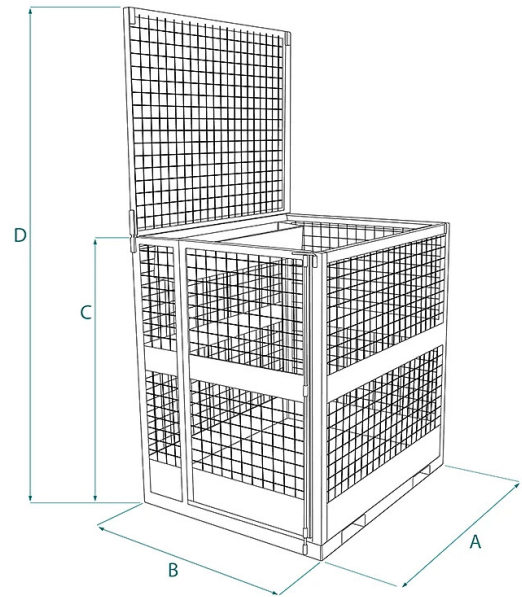


DATA SHEET - FORKLIFT WORK PLATFORM



Code	Capacity (kg)	Weight (kg)	Dimensions (mm)			
			A	B	C	D
CRM	200	145	1100	900	1100	2050
CRM-2	300					
CRM-3	450					
CRM-4	600					

DATA SHEET - FORKLIFT WORK PLATFORM

Crane man baskets



Forklift work platform

Mesh container for aerial maintenance for forklift

A mesh container designed to facilitate routine maintenance, specifically designed for use with forklifts. This practical solution features an internal tool compartment, a side door that opens inward with an appropriate locking system, and a stop specifically designed to prevent the container from slipping off the forklift tines. Using a personnel container designed for forklifts offers the following advantages:

- Safe Access at Height:** The container allows people to reach high heights safely, providing a secure and stable access point.
- Efficiency in High-Altitude Work:** It facilitates maintenance, inspection, or repair work at elevated heights, improving efficiency and reducing execution times.
- Worker Safety:** It provides a safe platform for workers, reducing the risk of falls and ensuring a safer working environment.
- Adaptability to Existing Forklifts:** The platform can be easily forked by an appropriate forklift into two sturdy tubular guides welded under the platform.
- Versatility of Use:** They can be used in a variety of sectors, including maintenance, inspection, cleaning, and installations, allowing for greater operational versatility.
- Regulatory Compliance:** Many containers are designed in compliance with safety regulations and industrial standards, ensuring adherence to industry safety norms.
- Adequate Load Capacity:** They are designed to support the weight of one or more operators, tools, and materials needed for high-altitude activities.
- Increased Productivity:** They allow workers to quickly and safely reach areas that are otherwise difficult to access, increasing work efficiency.

Application sectors

 Lifting