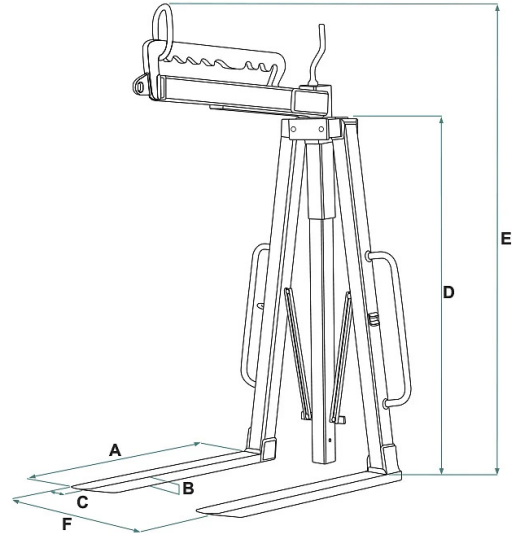


DATA SHEET - MANUAL BALANCING PALLET FORK WITH SELF LEVELLING PINS



Code	Capacity (kg)	Weight (kg)	Dimensions (mm)					
			A	B	C	D	E	F
MBACR-10A	1000	130	1000	25	90	1300	1800	400-1600
MBACR-15A	1500	140	1000	30	90	1300	1800	400-1600
MBACR-20A	2000	145	1000	35	100	1300	1800	400-1600

DATA SHEET - MANUAL BALANCING PALLET FORK WITH SELF LEVELLING PINS

Crane forks



Manual balancing pallet fork with self levelling pins

Crane fork with manual balancing and self-leveling tines

Our MBACR-A model is a fork that is easily used in truck cranes due to its limited height clearance. It also features a functional and manageable closure lock via a specific wheel. The self-leveling tines ensure they are always parallel to the ground, facilitating pallet insertion. The MBACR-A model has a useful load height of 1300 mm (upon request, it can be increased up to 1700 mm), large handles to facilitate fork orientation during pallet insertion and removal, and thin pins for greater maneuverability. All our crane forks are equipped with a strap and ratchet in compliance with EN13155 regulations, ensuring safety and compliance with European lifting standards.

Additionally, they are equipped with 2 welded perforated plates, which serve as a provision for the installation of the safety net. All our crane forks are also built and tested according to UNI EN ISO 12100, UNI EN 13854, ISO 8686, and UNI EN 10204 standards and are issued with the appropriate metal ID plate, certificate of conformity, and user and maintenance manual. All our products are covered by a one-year warranty (European Directive).

Application sectors

 Construction  Lifting