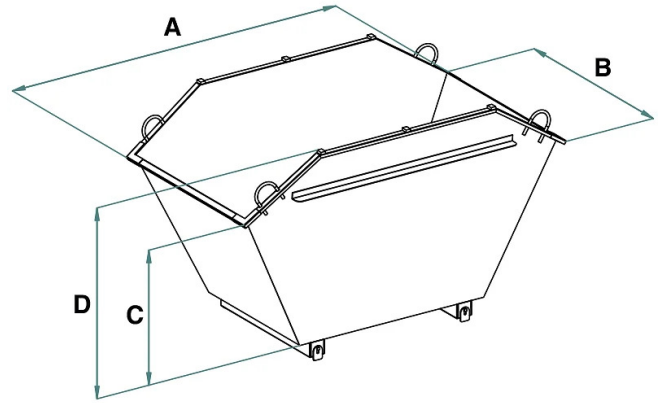


DATA SHEET - STACKABLE CRANELIFT WASTE SKIP



Code	Capacity (kg)	Capacity (L)	Weight (kg)	Dimensions (mm)			
				A	B	C	D
CR-99ZN	1000	1000	165	2198	1198	895	1238

DATA SHEET - STACKABLE CRANELIFT WASTE SKIP

Storage and handling equipment



Stackable cranelift waste skip

Stackable galvanized ecological sheet metal container

The versatility of our innovative stackable galvanized sheet metal container offers the ideal solution for the intelligent management of waste and scrap at construction sites. Designed to simplify and optimize the storage process, this container effortlessly accommodates materials of various sizes, ensuring an organized and tidy work environment.

Galvanization provides excellent corrosion resistance, increasing the product's lifespan even in outdoor environments and harsh working conditions, while minimizing the need for maintenance.

With the ability to transform from stackable to nestable with a simple movement of the feet, our galvanized sheet metal container adapts to your needs, efficiently utilizing space. Equipped with 4 practical lifting hooks, the container can be easily lifted and moved by chains or forked with the forks of a forklift or telehandler.

This product is built and tested according to the UNI EN ISO 12100, UNI EN 10027-1, and UNI EN 10204 standards and is supplied with a dedicated metal label and certificate of conformity. All our products are covered by a one-year warranty (European Directive).

Application sectors

 Construction  Ecology