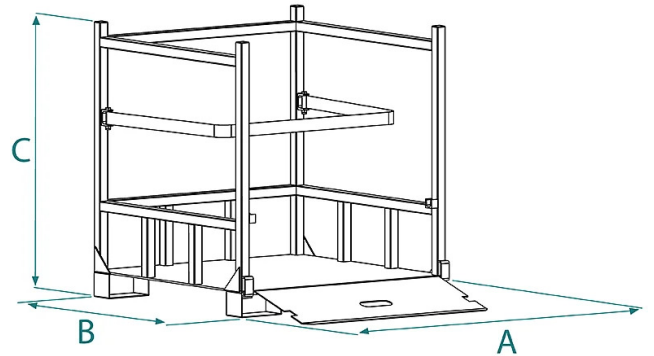


DATA SHEET - GALVANIZED GAS CYLINDER STORAGE CAGE WITH RAMP



Code	Capacity (kg)	Weight (kg)	Dimensions (mm)		
			A	B	C
PB-12ZN	900	115	1020	980	1110

DATA SHEET - GALVANIZED GAS CYLINDER STORAGE CAGE WITH RAMP

Crane accessories



Galvanized gas cylinder storage cage with ramp

Galvanized cylinder container with platform

Our cylinder container with platform represents the ideal solution for safe transportation and efficient management of cylinders in industrial environments. The sturdy integrated platform facilitates safe loading and unloading, providing a stable platform. Thanks to the hot-dip galvanized finish and construction with durable materials, we ensure maximum protection of cylinders during handling operations. The built-in fastening system ensures safe transportation, minimizing the risk of unwanted movements. The user-friendly design allows for easy maneuverability, even using the forks of a forklift truck. Guaranteed regulatory compliance and adaptability to various types of gas cylinders make our container a versatile solution for handling and storage needs. This product is built and tested according to UNI EN ISO 12100, UNI EN 10027-1, and UNI EN 10204 standards and is issued with the appropriate metal label and certificate of conformity. All our products are covered by a one-year warranty (European Directive).

Application sectors

 Ecology