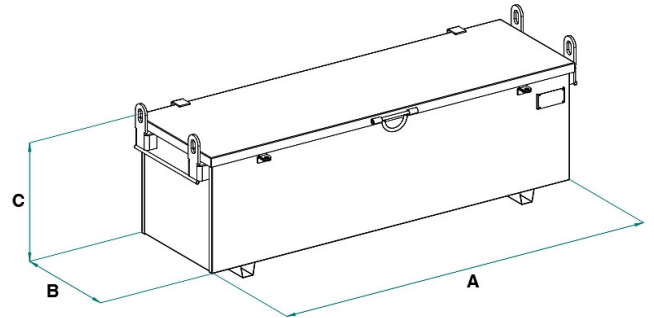


## DATA SHEET - GALVANIZED TOOL BOX



Code	Capacity (kg)	Capacity (L)	Weight (kg)	Dimensions (mm)		
				A	B	C
PA-10.05ZN	400	200	50	900	400	500
PA-10.10ZN	500	420	80	900	900	500
PA-18.06ZN	500	425	85	1700	500	500
PA-20.07ZN	500	1460	170	1950	996	752
PA-17.08EZN	400	700	85	1700	830	595/415

## DATA SHEET - GALVANIZED TOOL BOX

---

Crane accessories



## Galvanized tool box

### Assortment of galvanized tool boxes

We introduce our galvanized toolboxes, a robust and durable solution for the safe transportation and storage of tools in various work environments.

These boxes are carefully designed to offer a combination of strength, corrosion protection, and ease of use.

Main Features:

**Strength and Durability:** The boxes are constructed with high-quality materials to ensure strength and durability, withstanding daily wear and the demands of construction site work.

**Corrosion Protection:** The galvanized finish provides effective protection against corrosion, preserving the structural integrity of the box even in more aggressive environments.

**Side Handles and Lifting Brackets:** Side handles allow for easy manual movement, lifting brackets at the base facilitate transport with forklifts, and side hooks enable lifting with four-leg chains and cranes.

**Protection:** The construction of the boxes ensures that tools inside are protected from adverse weather conditions.


**Lockable:** Option to secure with a padlock to ensure the safety of tools during transport and storage.

Upon request, we can customize the dimensions of the boxes to meet the specific needs of our customers, guaranteeing a tailored solution for every work situation.

This product is constructed and tested according to UNI EN ISO 12100, UNI EN 10027-1, and UNI EN 10204 standards and comes with the appropriate metal label and conformity certificate.

All our products are covered by a one-year warranty (European Directive).

### Application sectors

 Construction