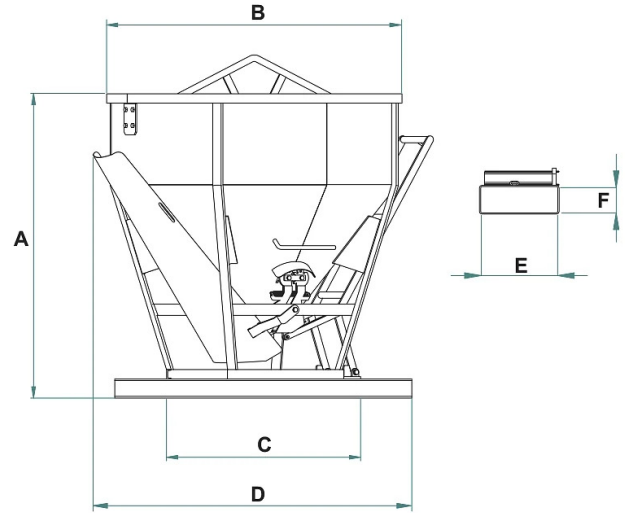


DATA SHEET - CONICAL CONCRETE SKIP WITH BOTTOM AND SIDE DISCHARGE AND FORKLIFT POCKETS



Code	Capacity (kg)	Capacity (L)	Weight (kg)	Dimensions (mm)					
				A	B	C	D	E	F
CL-15ST	390	150	95	620	920	660	1150	174	74
CL-20ST	520	200	100	700	920	660	1150	174	74
CL-25ST	650	250	105	780	920	660	1150	174	74
CL-30ST	780	300	110	860	920	660	1150	174	74
CL-35ST	910	350	115	940	925	660	1150	174	74
CL-40ST	1040	400	120	890	1050	660	1300	174	74
CL-50ST	1300	500	125	1010	1050	660	1300	174	74
CL-60ST	1560	600	130	1130	1050	660	1300	174	74
CL-80ST	2080	800	180	1180	1250	750	1600	174	74
CL-99ST	2600	1000	195	1360	1250	750	1600	174	74

DATA SHEET - CONICAL CONCRETE SKIP WITH BOTTOM AND SIDE DISCHARGE AND FORKLIFT POCKETS

Concrete buckets



Conical concrete skip with bottom and side discharge and forklift pockets

Conical concrete bucket with central and side discharge, equipped for forklift handling

The CL-ST conical concrete bucket model, with both central and lateral twin-valve discharge operated by lever and fork base, represents a highly advantageous choice for several reasons:

- Versatility in Use:** Having both central and lateral discharges gives the bucket significant flexibility in directing the flow of concrete. This feature is particularly useful in situations where concrete needs to be poured in specific directions or in tight spaces.
- Ease of Loading:** The reduced edge height simplifies loading the bucket with the concrete mixer.
- Adaptability to Various Construction Sites:** Available in various capacities and sizes, this model adapts to the specific needs of each construction site.
- Fork Base:** The fork base (with internal section of 174×74h mm) allows the bucket to be lifted and moved with forklifts or telescopic handlers, as well as with construction cranes using the upper hook.
- Durability and Corrosion Resistance:** The bucket is made of high-quality materials and, upon request, is also available in a hot-dip galvanized version to ensure greater corrosion resistance and extended durability.
- Ease of Maintenance:** Intelligent design and material selection contribute to easy maintenance, minimizing interventions and ensuring long-term durability.

Choosing a bucket with these features can significantly improve efficiency on the construction site, while offering versatility and adaptability to the specific needs of each project. All our buckets are built and tested according to standards such as UNI EN ISO 12100, UNI EN 13854, ISO 8686, UNI EN 10027, and UNI EN 10204, ensuring maximum quality and safety. Each product comes with a metal ID plate, certificate of conformity, and user manual. Our commitment to quality is also reflected in a one-year warranty, compliant with the European Directive. Choose our CL-ST concrete bucket for a reliable and efficient solution on your construction site.

Application sectors

 Construction