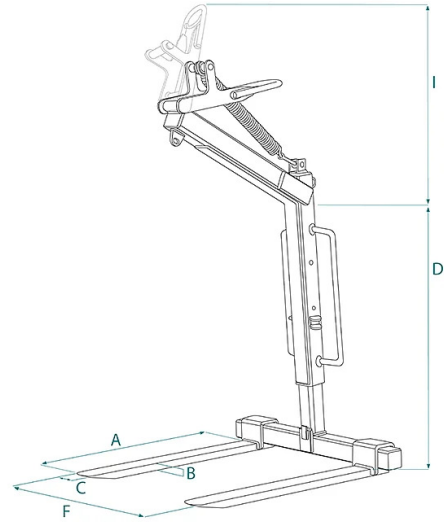


DATA SHEET - SELF LEVELLING CRANE FORK WITH TELESCOPIC HEIGHT



Code	Capacity (kg)	Weight (kg)	Dimensions (mm)						
			A	B	C	D	F	I	
MBRA-10	1000	115	1000	25	90	1000-1450	350-1000	600	
MBRA-15	1500	155	1000	30	90	1000-1450	350-1000	600	
MBRA-20	2000	170	1000	35	100	1200-1800	350-1000	600	
MBRA-25	2500	230	1000	40	90	1200-1800	350-1000	600	
MBRA-30	3000	240	1000	35	120	1200-1800	350-1000	600	

**DATA SHEET - SELF LEVELLING CRANE FORK WITH TELESCOPIC HEIGHT**

Crane forks**Self levelling crane fork with telescopic height****Crane fork with adjustable height spring balancing**

The MBRA model is a height-adjustable automatic crane fork. The spring balance ensures even weight distribution and optimal stability during lifting operations.

All our crane forks are constructed and tested according to the UNI EN 13155, UNI EN ISO 12100, UNI EN 13854, ISO 8686 and UNI EN 10204 standards, and are issued with the appropriate metal ID plate, conformity certificate, and user and maintenance manual. All our products are covered by a one-year warranty (European Directive).

Application sectors

🏗️ Construction 🏠 Lifting

