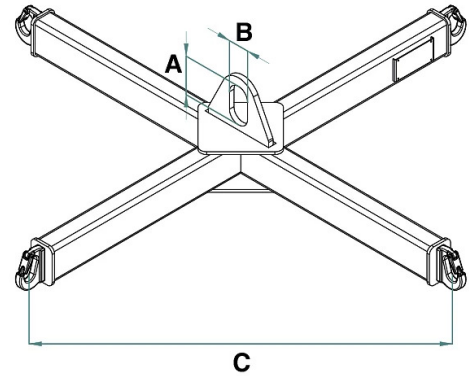
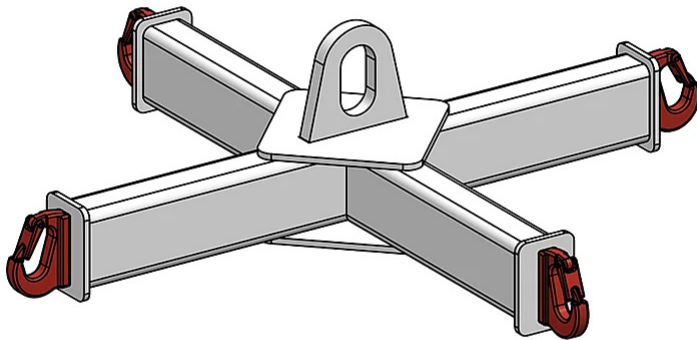


## DATA SHEET - BIG BAG LIFTING BEAM



Code	Capacity (kg)	Weight (kg)	Dimensions (mm)		
			A	B	C
BIL-1/800BB	1000	30	75	50	800
BIL-1/900BB	1000	32	75	50	900
BIL-1/1000BB	1000	35	75	50	1000
BIL-2/800BB	2000	35	110	60	800
BIL-2/900BB	2000	38	110	60	900
BIL-2/1000BB	2000	41	110	60	1000
BIL-3/800BB	3000	44	110	60	800
BIL-3/900BB	3000	48	110	60	900
BIL-3/1000BB	3000	52	110	60	1000
BIL-5/800BB	5000	50	135	75	800
BIL-5/900BB	5000	55	135	75	900
BIL-5/1000BB	5000	59	135	75	1000

## DATA SHEET - BIG BAG LIFTING BEAM

---

Lifting beams



### Big Bag lifting beam

#### Lifting beam for handling Big Bags

Discover the versatility of our big bag lifting beam, the ideal solution for safely lifting and moving bulk bags. This device is specially designed for use with an overhead crane, utilizing a convenient central upper attachment. With its 4 lifting points, the lifting beam securely anchors the big bag, allowing for safe transport from one workstation to another. Its compact structure and small dimensions make it a space-saving choice in height, ensuring effective workspace management. Bulk bags are widely used for storing and handling compact materials, powders, micro-granules, and processed industrial products. The big bag lifting beam serves as the ideal transport vehicle, offering convenience and safety at every stage of the operation. All equipment is CE certified and supplied complete with an instruction and maintenance manual. Upon request, we can provide a calculation report signed by a qualified technician.

#### Application sectors

 Lifting