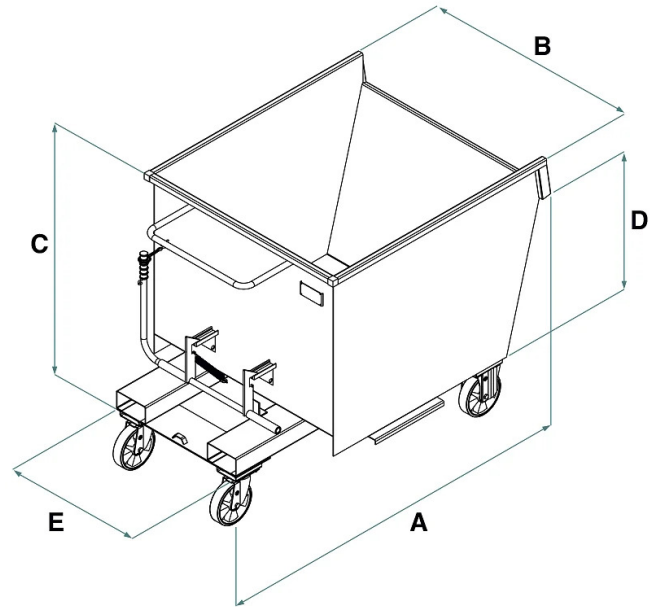


DATA SHEET - FORKLIFT TIPPING SKIP



Code	Capacity (kg)	Capacity (L)	Weight (kg)	Dimensions (mm)				
				A	B	C	D	E
BB-30	600	300	80	1345	860	982	555	585
BB-40	600	400	90	1348	860	990	749	580
BB-50	1000	500	100	1480	980	925	835	660
BB-80	1350	800	155	1515	1110	1075	975	700
BB-99	1500	1000	190	1640	1110	1195	1045	700
BB-135	1500	1350	195	1610	1345	1195	1045	800
BB-160	1500	1600	215	1610	1600	1195	1045	800
BB-200	1500	2000	255	1620	2100	1195	1148	800

DATA SHEET - FORKLIFT TIPPING SKIP

Warehousing logistics



Forklift tipping skip

Tipping skip with forklift pockets and wheels

The BB model represents the optimal solution for easy and safe collection, transport, and discharge of industrial waste, chips, scraps, and metal offcuts near work areas. The bucket is equipped with an anti-tipping and anti-sliding mechanism with a safety chain, a fast and secure fork entry system, and an automatic discharge mechanism that can be operated directly by the forklift driver. The high-load capacity polyurethane wheels allow the containers to be moved manually on flat surfaces in a silent manner.

As a standard feature, all BB buckets are equipped with a bottom drain plug for the possible discharge of liquids. Upon request, they can be supplied with a watertight decantation tank.

All our buckets are built and tested in accordance with UNI EN ISO 12100, UNI EN 13854, ISO 8686, UNI EN 10027, and UNI EN 10204 standards and are supplied with a dedicated metal label, a certificate of conformity, and an operation and maintenance manual. In addition, all our products are covered by a one-year warranty in compliance with the European Directive.

Application sectors

 Industry