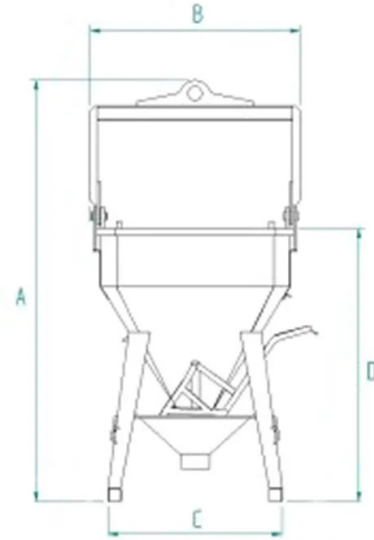


DATA SHEET - GALVANIZED OCTAGONAL BUCKET WITH RUBBER HOSE



Code	Capacity (kg)	Capacity (L)	Weight (kg)	Dimensions (mm)			
				A	B	C	D
BCE-40ZN	1040	400	225	2287	1128	1000	1405
BCE-50ZN	1300	500	235	2387	1128	1000	1505
BCE-60ZN	1560	600	255	2487	1128	1000	1605
BCE-80ZN	2080	800	320	2710	1447	1200	1615
BCE-99ZN	2600	1000	335	2807	1447	1200	1712
BCE-125ZN	3250	1250	405	2908	1447	1200	1885
BCE-150ZN	3900	1500	420	3048	1647	1300	1925
BCE-175ZN	4550	1750	435				
BCE-200ZN	5200	2000	530	3290	1647	1300	2135
BCE-250ZN	6500	2500	630	2008	1780	1780	1927
BCE-300ZN	7800	3000	655	2183	1780	1780	2102

DATA SHEET - GALVANIZED OCTAGONAL BUCKET WITH RUBBER HOSE

Concrete buckets

Galvanized octagonal bucket with rubber hose

Galvanized octagonal concrete bucket with rubber hose and lever-operated opening

The galvanized octagonal concrete bucket, with lever-operated opening and rubber tube, BCE-ZN model, is the ideal solution for precise and reliable pours in the most demanding construction sites, thanks to its corrosion resistance. The galvanized finish ensures long-lasting protection against atmospheric agents, making it perfect for intensive use in outdoor environments and harsh weather conditions.

Designed to meet the needs of the most challenging sites, this galvanized bucket is indispensable for pouring large quantities of concrete into formwork, pillars, or slabs with maximum precision, avoiding pouring errors that could compromise structural stability. Thanks to its guillotine valve operated by a lever and the spring that enables automatic discharge closure, the concrete flow can be easily and safely managed.


The two-meter-long rubber tube, with a diameter of 200 mm, ensures controlled and precise flow during the pour, guaranteeing uniform concrete distribution. The BCE-ZN model is also equipped with a tilting lifting arch, customizable upon request, to adapt to different handling needs on site.

Key features of the BCE-ZN galvanized concrete bucket:

- Corrosion resistance thanks to galvanization;
- Designed for intensive use in outdoor environments;
- Guillotine closure system for precise flow control;
- 200 mm rubber tube for accurate concrete distribution;
- Compliance with safety standards UNI EN ISO 12100, UNI EN 13854, ISO 8686, UNI EN 10027, and UNI EN 10204.

Each bucket comes with a certificate of conformity, metal label, and user and maintenance manual, ensuring maximum safety and reliability over time. Additionally, all our galvanized buckets are covered by a one-year warranty in accordance with the European Directive, to ensure durability and consistent performance.

Application sectors

 Construction