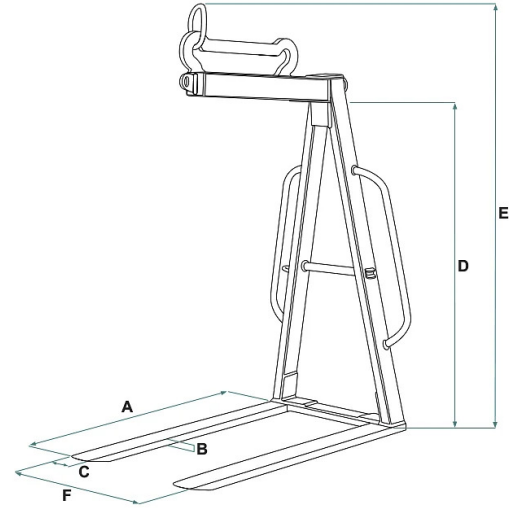


## DATA SHEET - LOWERED MANUAL BALANCING CRANE FORK WITH HEIGHT AND WIDTH NOT ADJUSTABLE



| Code     | Capacity (kg) | Weight (kg) | Dimensions (mm) |    |     |      |      |     |
|----------|---------------|-------------|-----------------|----|-----|------|------|-----|
|          |               |             | A               | B  | C   | D    | E    | F   |
| MBL-R15H | 1500          | 125         | 1000            | 30 | 90  | 1750 | 2260 | 700 |
| MBL-R20H | 2000          | 135         | 1000            | 35 | 100 | 1750 | 2260 | 700 |
| MBL-R25H | 2500          | 170         | 1000            | 40 | 90  | 1750 | 2260 | 700 |
| MBL-R30H | 3000          | 195         | 1000            | 35 | 120 | 1750 | 2260 | 700 |

## DATA SHEET - LOWERED MANUAL BALANCING CRANE FORK WITH HEIGHT AND WIDTH NOT ADJUSTABLE

---

Crane forks





### Lowered manual balancing crane fork with height and width not adjustable

#### Crane fork with manual balancing

The non-adjustable crane fork with ring balance is designed to provide efficient lifting without the need for width or height adjustments. Manual balancing with a sliding ring allows the operator to adjust the balance based on the pallet depth to be handled. This crane fork is ideal for truck-mounted hydraulic cranes in situations that require a fixed and stable configuration, without needing to adapt to variable load sizes due to its low height profile. All our crane forks are built and tested according to UNI EN 13155, UNI EN ISO 12100, UNI EN 13854, ISO 8686, and UNI EN 10204 standards and come with the appropriate metal ID plate, certificate of conformity, and user and maintenance manual. All our products are covered by a one-year warranty (European Directive).

#### Application sectors

 Construction  Lifting