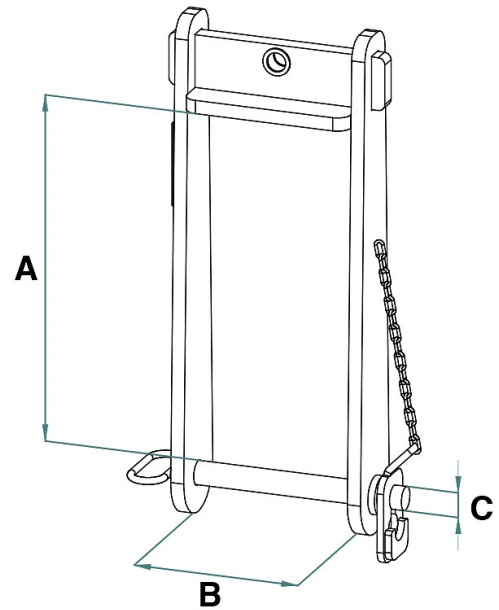


DATA SHEET - HIGHWAY CONCRETE BARRIER LIFTING BRACKETS



Code	Capacity (kg)	Weight (kg)	Dimensions (mm)		
			A	B	C
SSNJ-2	2000	42	400	200	28
SSNJ-4	4000	70	550	250	35
SSNJ-6	6000	75	550	250	35

DATA SHEET - HIGHWAY CONCRETE BARRIER LIFTING BRACKETS

Lifting clamps





Highway concrete barrier lifting brackets

Pair of clamps for lifting New Jersey barriers

Our brackets are designed to enable efficient lifting of New Jersey barriers, utilizing a pair of holes present on the barriers themselves. Bracket models can be diversified based on the maximum distance of the lifting hole from the upper edge of the New Jersey barrier and the width of the barrier itself. This variety of options allows for optimal flexibility, adapting to the different configurations and sizes of New Jersey barriers available on the market. Our pair of clamps offers precise and reliable solutions for lifting New Jersey barriers, ensuring safety and efficiency in every operation. We provide a complete range of solutions for lifting highway barriers. Explore our options and choose the model that best suits your needs. All our brackets are built and tested in accordance with UNI EN 13155, UNI EN ISO 12100, UNI EN 13854, ISO 8686, UNI EN 10204 standards, and come with a metal ID plate, conformity certificate, and a user and maintenance manual. Furthermore, all our products are covered by a one-year warranty, in compliance with the European Directive.

Application sectors

 Construction  Lifting