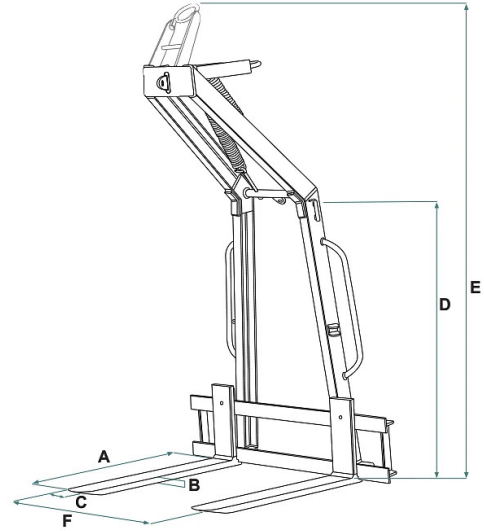


DATA SHEET - SELF BALANCING PALLET FORK WITH ADJUSTABLE TINES



Code	Capacity (kg)	Weight (kg)	Dimensions (mm)					
			A	B	C	D	E	F
ITA-06	600	95	1000	25	80	1250	2500	160-850
ITA-10	1000	135	1000	25	90	1250	2500	180-850
ITA-13	1300	145	1000	25	90	1250	2500	180-850
ITA-15	1500	165	1000	30	90	1250	2500	180-1200
ITA-20	2000	190	1000	30	120	1250	2500	240-1200

DATA SHEET - SELF BALANCING PALLET FORK WITH ADJUSTABLE TINES

Crane forks




Self balancing pallet fork with adjustable tines

Crane fork with automatic spring balancing

The ITA crane fork is a lifting tool designed primarily for use with construction cranes. It consists of a robust frame with adjustable tines that allow the width of the tips to be adapted according to the load dimensions. The crane fork features an automatic spring balancing system and does not require any height adjustments. Before using the crane fork, it is important to carefully follow the manufacturer's instructions and comply with applicable safety regulations. All our forks are built and tested according to UNI EN 13155, UNI EN ISO 12100, UNI EN 13854, ISO 8686, and UNI EN 10204 standards. They are supplied with the appropriate metal tag, certificate of conformity, and user and maintenance manual. All our products are covered by a one-year warranty (European Directive).

Application sectors

 Construction  Lifting