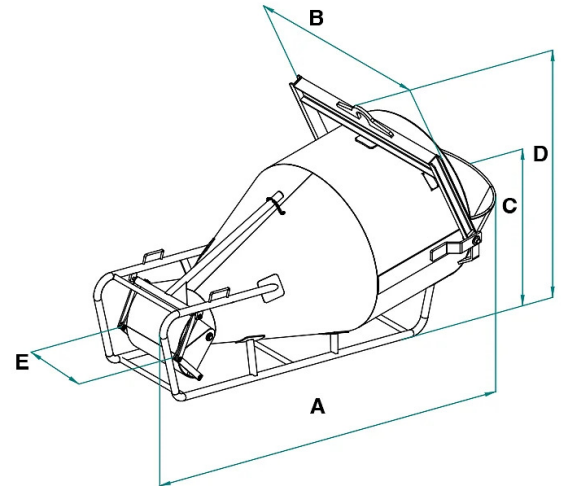


DATA SHEET - LAYDOWN CONICAL CONCRETE BUCKET WITH LEVER-OPERATED OPENING



Code	Capacity (kg)	Capacity (L)	Weight (kg)	Dimensions (mm)				
				A	B	C	D	E
BCF-30GA	780	300	110	1810	1020	635	1215	513
BCF-50GA	1300	500	135	2150	1020	720	1305	513
BCF-75GA	1950	750	250	2375	1430	855	1515	658
BCF-99GA	2600	1000	295	2640	1430	925	1555	658
BCF-150GA	3900	1500	355	3085	1430	1040	1670	658
BCF-200GA	5200	2000	670	3285	2025	1250	2050	1020
BCF-300GA	7800	3000	775	3720	2035	1360	2175	1020

DATA SHEET - LAYDOWN CONICAL CONCRETE BUCKET WITH LEVER-OPERATED OPENING

Concrete buckets




Laydown conical concrete bucket with lever-operated opening

Laydown conical concrete bucket with lever opening

The conical concrete bucket with lever opening is a device designed for efficient lifting and transportation of concrete on construction sites using a crane. This model, characterized by its conical shape and equipped with a lever opening system, offers a practical and precise solution for distributing concrete, particularly suitable for pours on slabs and for work in hard-to-reach areas. Its laid-down configuration facilitates horizontal ground loading, simplifying the filling process with the concrete mixer and improving efficiency on site. This type of bucket is versatile and suitable for various applications, providing a reliable solution for concrete pouring needs in different construction contexts. All our skip models are built with certified materials to ensure durability and safety, adhering to the required quality standards in construction.

Application sectors

 Construction