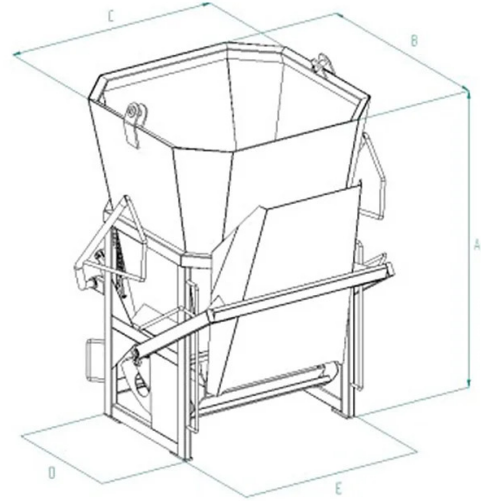


DATA SHEET - OCTAGONAL CONCRETE BUCKET WITH BOTTOM AND SIDE DISCHARGE



| Code | Capacity (kg) | Capacity (L) | Weight (kg) | Dimensions (mm) | | | | |
|---------|---------------|--------------|-------------|-----------------|------|------|-----|-----|
| | | | | A | B | C | D | E |
| BOC-60 | 1560 | 600 | 260 | 1330 | 960 | 970 | 485 | 590 |
| BOC-80 | 2080 | 800 | 280 | 1525 | 1045 | 1045 | 485 | 590 |
| BOC-99 | 2600 | 1000 | 300 | 1808 | 1027 | 1191 | 640 | 897 |
| BOC-120 | 3120 | 1200 | 450 | 1755 | 1218 | 1230 | 500 | 700 |
| BOC-150 | 3900 | 1500 | 490 | 1955 | 1290 | 1330 | 500 | 700 |
| BOC-200 | 5200 | 2000 | 620 | 2255 | 1397 | 1481 | 500 | 700 |

DATA SHEET - OCTAGONAL CONCRETE BUCKET WITH BOTTOM AND SIDE DISCHARGE

Concrete buckets




Octagonal concrete bucket with bottom and side discharge

Octagonal bucket for concrete with central and side discharge

The octagonal concrete bucket model BOC has been specially designed to ensure robustness, versatility, and safety on every construction site. Characterized by a sturdy and durable structure, this bucket offers both central and side discharge, making it suitable for a wide range of on-site applications. Its large twin-opening, lever-operated laterally, allows for optimized and controlled material discharge safely. The bucket is lifted using a two-arm steel cable sling, already included, ensuring even weight distribution and greater stability during lifting. The carefully designed BOC bucket translates into reliable and efficient performance, optimally meeting the needs of concrete handling on site. All our buckets are built and tested according to stringent safety standards, including UNI EN ISO 12100, UNI EN 13854, ISO 8686, UNI EN 10027, and UNI EN 10204. Each product comes with a metal ID plate, conformity certificate, and operation and maintenance manual, ensuring maximum quality and safety in the field. Furthermore, our commitment to quality is reflected in the one-year warranty coverage, in compliance with the European Directive.

Application sectors

 Construction