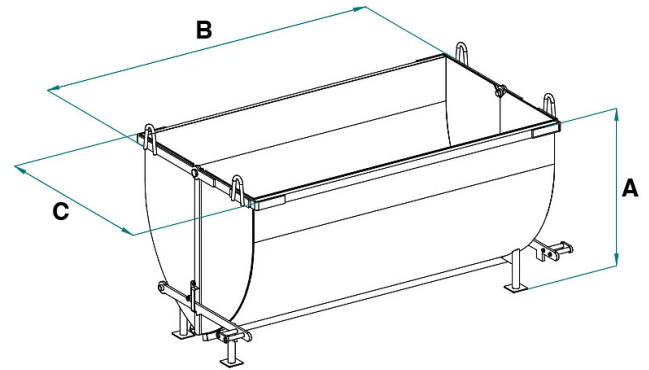


DATA SHEET - CLAMSHELL BUCKET



Code	Capacity (kg)	Capacity (L)	Weight (kg)	Dimensions (mm)		
				A	B	C
A-50S	1000	500	110	824	1044	953
A-80S	1600	800	175	1043	1086	1226
A-99S	2000	1000	190	1043	1386	1226
A-150S	3000	1500	265	1044	1792	1226
A-200S	4000	2000	405	1155	2198	1234
A-300S	6000	3000	610	1328	2210	1550

DATA SHEET - CLAMSHELL BUCKET

Boat skips



Clamshell bucket

Clamshell bucket for aggregates and debris with bottom opening by lever

This debris bucket, known as the A-S model, is distinguished by its continuous bottom opening, giving it remarkable versatility in handling various types of materials, especially during excavation filling operations. It features a manual lever opening on both sides and four hooks positioned at the corners to ensure stable and secure lifting. The main advantages of this bucket include: **Robustness:** Constructed with durable materials, the debris bucket is designed to withstand the toughest challenges of construction sites. Its solid frame and resilient structure ensure long-lasting durability without compromise. **Exceptional Capacity:** This bucket can handle significant loads of debris and waste, reducing the number of loads and unloads needed for disposal, thus improving operational efficiency. **Versatility:** It is suitable for a wide range of applications, including site cleanup, waste management, and the transport of scrap materials. **Safety:** This bucket is designed with a focus on site safety, helping to reduce the risk of accidents during the lifting and transport of debris. All our buckets are built and tested according to UNI EN ISO 12100, UNI EN 13854, ISO 8686, UNI EN 10027, and UNI EN 10204 standards and come with a metal ID plate, a certificate of conformity, and a user and maintenance manual. All our products are covered by a one-year warranty (European Directive).

Application sectors

 Construction