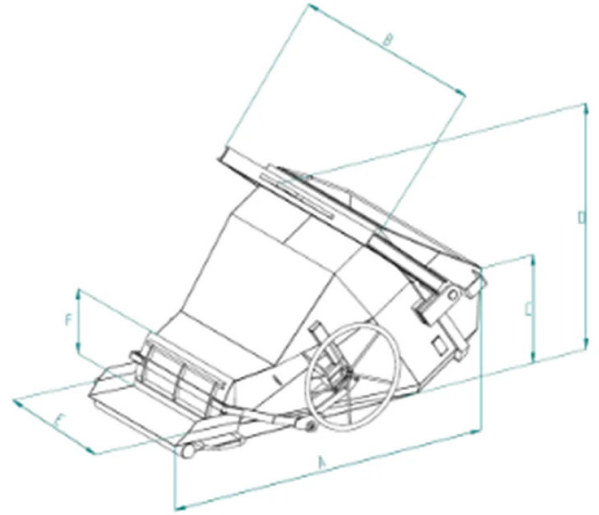


DATA SHEET - LAYDOWN CONCRETE BUCKET WITH LARGE AND GEARED OPENING



Code	Capacity (kg)	Capacity (L)	Weight (kg)	Dimensions (mm)					
				A	B	C	D	E	F
BC-50GAV	1300	500	270	1620	1400	610	955	700	300
BC-75GAV	1950	750	340	1810	1400	720	1070	700	300
BC-99GAV	2600	1000	470	2000	1400	830	1200	700	300
BC-150GAV	3900	1500	490	2162	1750	902	1462	900	300
BC-200GAV	5200	2000	560	2361	1900	960	1500	900	300

DATA SHEET - LAYDOWN CONCRETE BUCKET WITH LARGE AND GEARED OPENING

Concrete buckets




Laydown concrete bucket with large and geared opening

Laydown concrete bucket with large opening and wheel

The large-opening laydown concrete bucket with handwheel is a device designed for efficient lifting and transportation of concrete on construction sites and in prefabrication environments. Key Features: 1. Large Opening Valve: The skip is equipped with a handwheel that operates a wide opening, facilitating the rapid discharge of large quantities of concrete. 2. Precise Control: The handwheel opening system provides accurate control over the speed and amount of concrete released, ensuring precise dosing during pouring operations. 3. Versatility: This type of bucket is versatile and can be used in various applications, adapting to different needs. 4. Ease of Filling: Thanks to its configuration allowing horizontal ground loading, the bucket remains very low at the edge, simplifying filling with the concrete mixer. This bucket is particularly suitable for projects requiring a significant flow of concrete, where precision and control during pouring operations are essential. Its design aims to maximize convenience and safety on the construction site.

Application sectors

 Construction