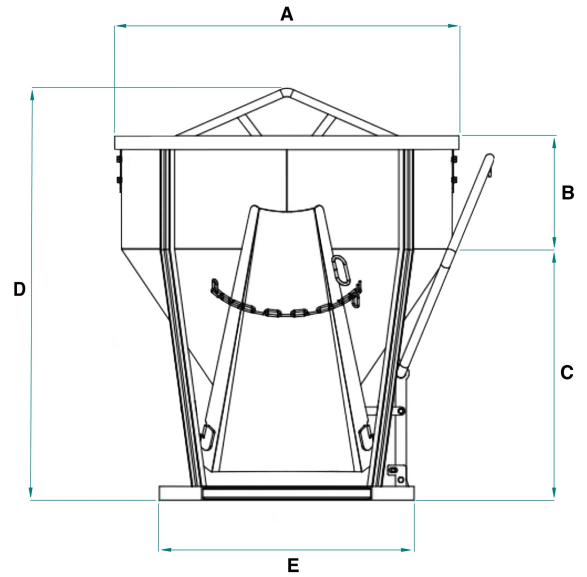


## DATA SHEET - CONICAL CONCRETE BUCKET FOR BATCHING PLANT



Code	Capacity (L)	Weight (kg)	Dimensions (mm)				
			A	B	C	D	E
CL-40B	400		1050	260	570	980	800
CL-60B	600		1065	550	600	1240	800
CL-80B	800		1240	500	710	1420	800
CL-130B	1300		1250	900	700	1820	800
CL-150B	1500	225	1250	1150	700	2050	800

A = external diameter

## DATA SHEET - CONICAL CONCRETE BUCKET FOR BATCHING PLANT

Concrete buckets



### Conical concrete bucket for batching plant


#### Conical concrete bucket with central and side discharge for batching plant

The CL-B concrete bucket model is a versatile and highly efficient solution, specifically designed for use with batching plants. Its key features include a lever-operated opening that allows precise dosing of concrete, a side discharge chute for optimal pouring direction, and a round base, designed to fit perfectly into the plant's hopper. Available in different capacities, as listed in the table below, the CL-B model is designed to meet various site needs. A galvanized version is also available, ensuring greater resistance to corrosion and longer product life. We also offer the option to customize the bucket according to specific customer requirements, making it perfectly suited to the characteristics of the plant.

Each bucket is manufactured and tested in accordance with UNI EN ISO 12100, UNI EN 13854, ISO 8686, UNI EN 10027, and UNI EN 10204 standards, guaranteeing the highest quality and safety standards. Each model comes with a metal label, a certificate of conformity, and an operation and maintenance manual.

The CL-B model is covered by a one-year warranty, in accordance with European Directives. By choosing this bucket, you will have reliable and efficient equipment designed to optimize your site operations.

#### Application sectors

 Construction