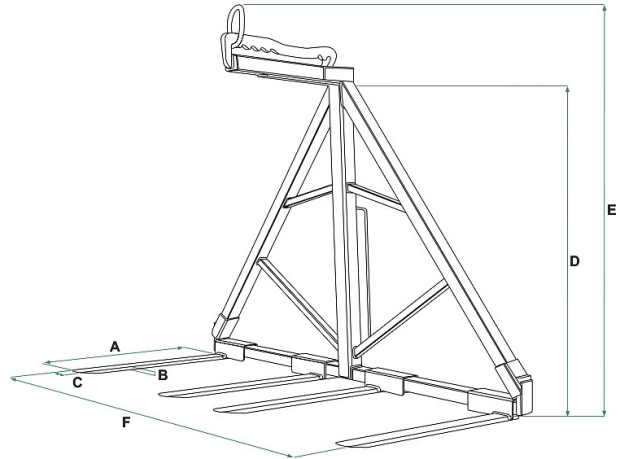


DATA SHEET - MANUAL BALANCING CRANE FORK EQUIPPED WITH 4 FORKS



Code	Capacity (kg)	Weight (kg)	Dimensions (mm)						
			A	B	C	D	E	F	
MBR-10D4	1000		1000						
MBR-15D4	1500		1000						
MBR-20D4	2000	215	1000	30	90	1300	1650	1800	

DATA SHEET - MANUAL BALANCING CRANE FORK EQUIPPED WITH 4 FORKS

Crane forks



Manual balancing crane fork equipped with 4 forks

Crane fork with manual balancing

The crane fork is designed with four adjustable tines, providing the flexibility needed to lift two pallets side by side simultaneously. Manual adjustment adds a level of direct control for the user, allowing the fork to be balanced precisely to ensure stable and safe lifting depending on the pallet depth. The crane fork can be used in combination with cranes or other lifting devices to handle loads in naval, construction, or logistical environments. Its versatility, with adjustable teeth and manual balancing, makes it suitable for a variety of applications and allows significant time savings in daily pallet handling. All our crane forks are built and tested according to UNI EN 13155, UNI EN ISO 12100, UNI EN 13854, ISO 8686, and UNI EN 10204 standards. They are supplied with the appropriate metal ID plate, certificate of conformity, and user and maintenance manual. All our products are covered by a one-year warranty (European Directive).

Application sectors

 Construction  Lifting